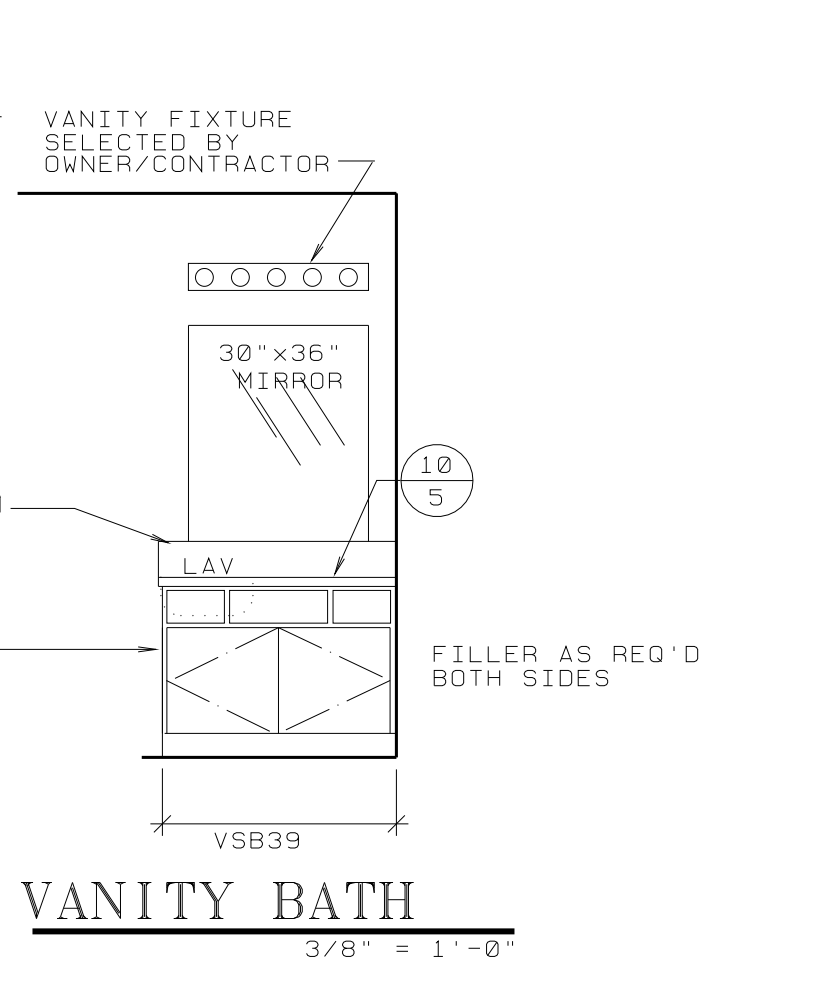
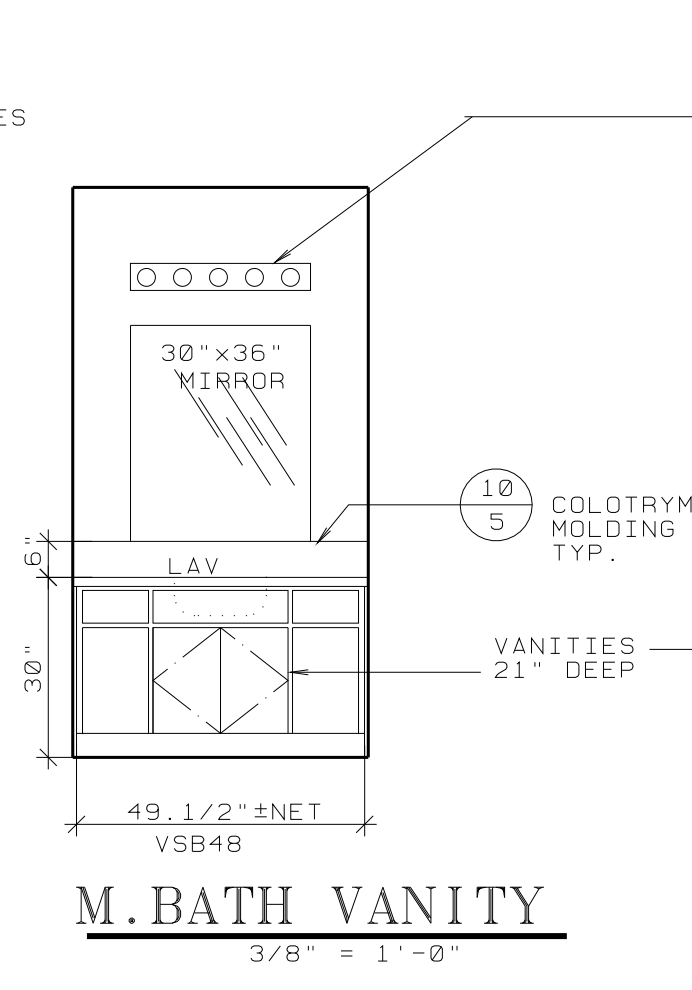
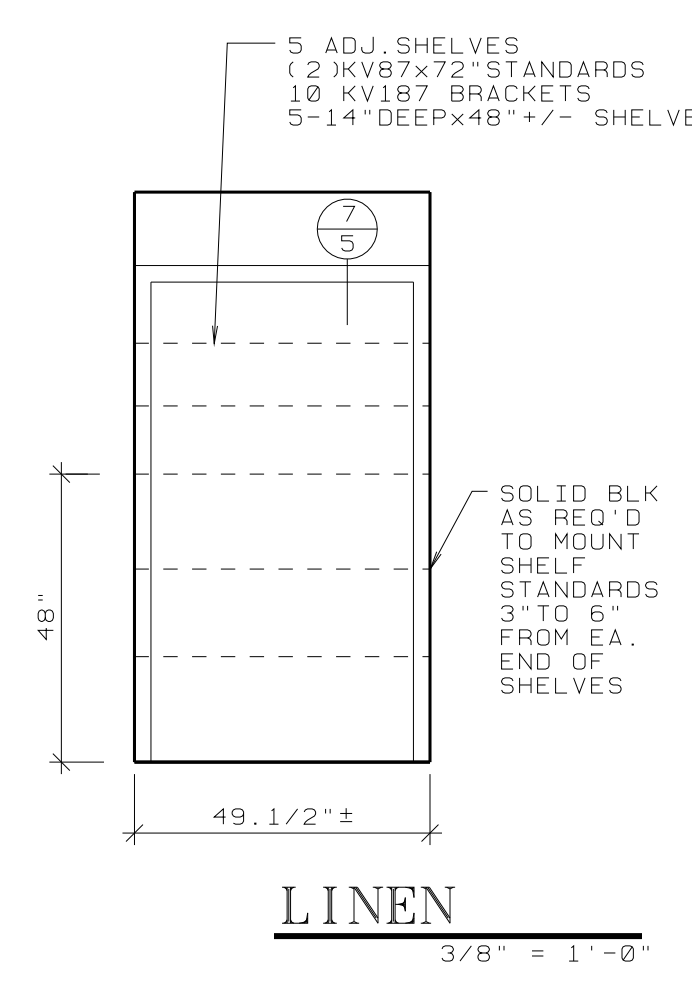


ROOM FINISH SCHEDULE

| ROOM NAME | BASE | | FLOOR | | WALLS | | CEILING | | | TRIM | | REMARKS | | | |
|--|---------------|-----------|----------------------------------|-------------|-------------|-----------------|----------------|--------------------------|----------------|----------------|-------------------|-------------------------|-----|------------------|--|
| | MAT | FINISH | BACK 'G | MAT | FINISH | BACK 'G | MAT | FINISH | HEIGHT | MAT | FINISH | | | | |
| GARAGE | NONE | N/A | N/A | CONC | STL. TROWEL | WD STUDS 16" OC | 5/8" GYP BOARD | TAPE JTS. SG. LATEX | TRUSSES 24" OC | 5/8" GYP BOARD | TAPE-TEX F. LATEX | VARIABLES W/ FLR. SLOPE | MDF | STAIN & URETHANE | (ALL HEMLOCK CASINGS & BASE TO BE COLONIAL PROFILE) 1HR WALL BETWEEN GARAGE & LIVING AREA CONTINUOUS TO ROOF SHEATHING - OTHER WALLS 1/2" GYP. BD+ACRYLIC LATEX |
| BEDROOMS, HALL, BEDROOM CLOSETS, LIVING ROOM | 2.1/4" MDF | S.G. ENAM | 1.2" P.B. OR 1/2" PLYWD UNDERLAY | CARPET | FACTORY | | 1/2" GYP BOARD | TAPE & TEXTURE S.G. ENAM | | | | 8'-0" | | | |
| KITCHEN, BATHROOMS, DINING | 4" VINYL COVE | FACTORY | 1/2" PLYWD UNDERLAY (NO P.B.) | SHEET VINYL | FACTORY | | | | | | | | | | SET RUBBER BASE IN SILICONE SEALANT BEAD ALONG BOTH EDGES TO SEAL BETWEEN WALL AND FLOOR. |
| ENTRY | 2.1/4" MDF | S.G. ENAM | | | | | | | | | | | | | |



DALLAS W. HORN, ARCHITECT
MEMBER - AMERICAN INSTITUTE OF ARCHITECTS
840 SE ROSE - ROSEBURG, OR 97470
PHONE: (541) 672-5658
dwh@i10.com

REGISTERED ARCHITECT
DALLAS HORN & HORN
ROSEBURG, OREGON

NOBODI OF ATLAS

SELF HELP HOUSING - 2 BEDROOM DWELLING LA-1
DOUGLAS COUNTY, OREGON
OWNER-DEVELOPER - UMPQUA COMMUNITY DEVELOPMENT CORP.

MISC. DETAILS

PROJECT NO. A9083
LAOS DATE 1/21/09
REVISIONS
DRAWING SET NO.
SHEET NO 5 OF 8