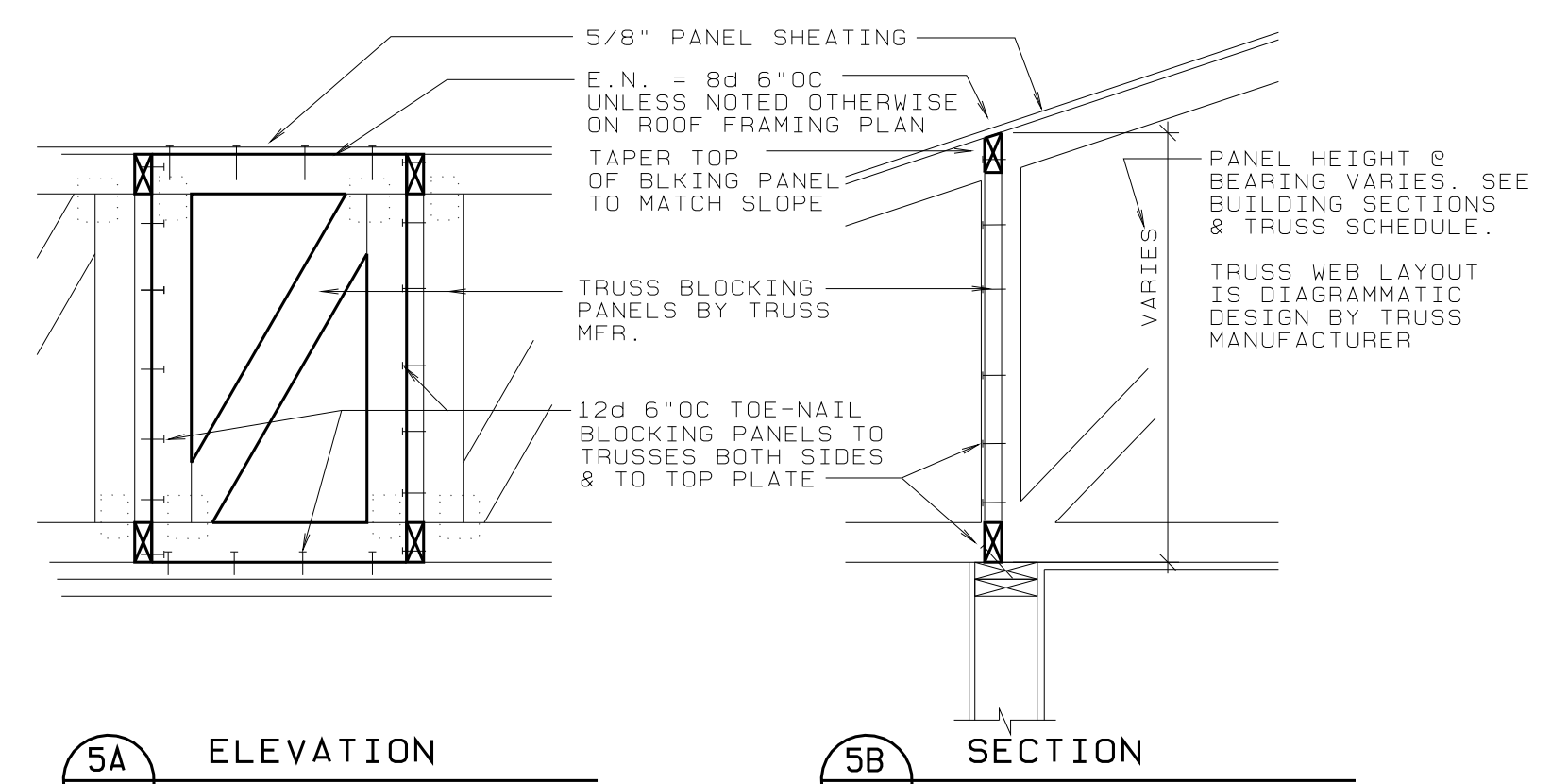


**ROOF PLAN 2 BEDROOM 960 SF**

**TRUSS GENERAL NOTES:**  
 TOP CHORD LIVE LOAD: 25 PSF  
 BOTTOM CHORD LIVE LOAD: 10 PSF  
 TOP CHORD DEAD LOAD: 8 PSF  
 BOTTOM CHORD DEAD LOAD: 5 PSF  
 TOTAL LOAD: 48 PSF  
 DESIGN BY TRUSS MFR.  
 NO CHORDS LESS THAN 2x4 SIZE.

**ROOF PLAN GENERAL NOTES**

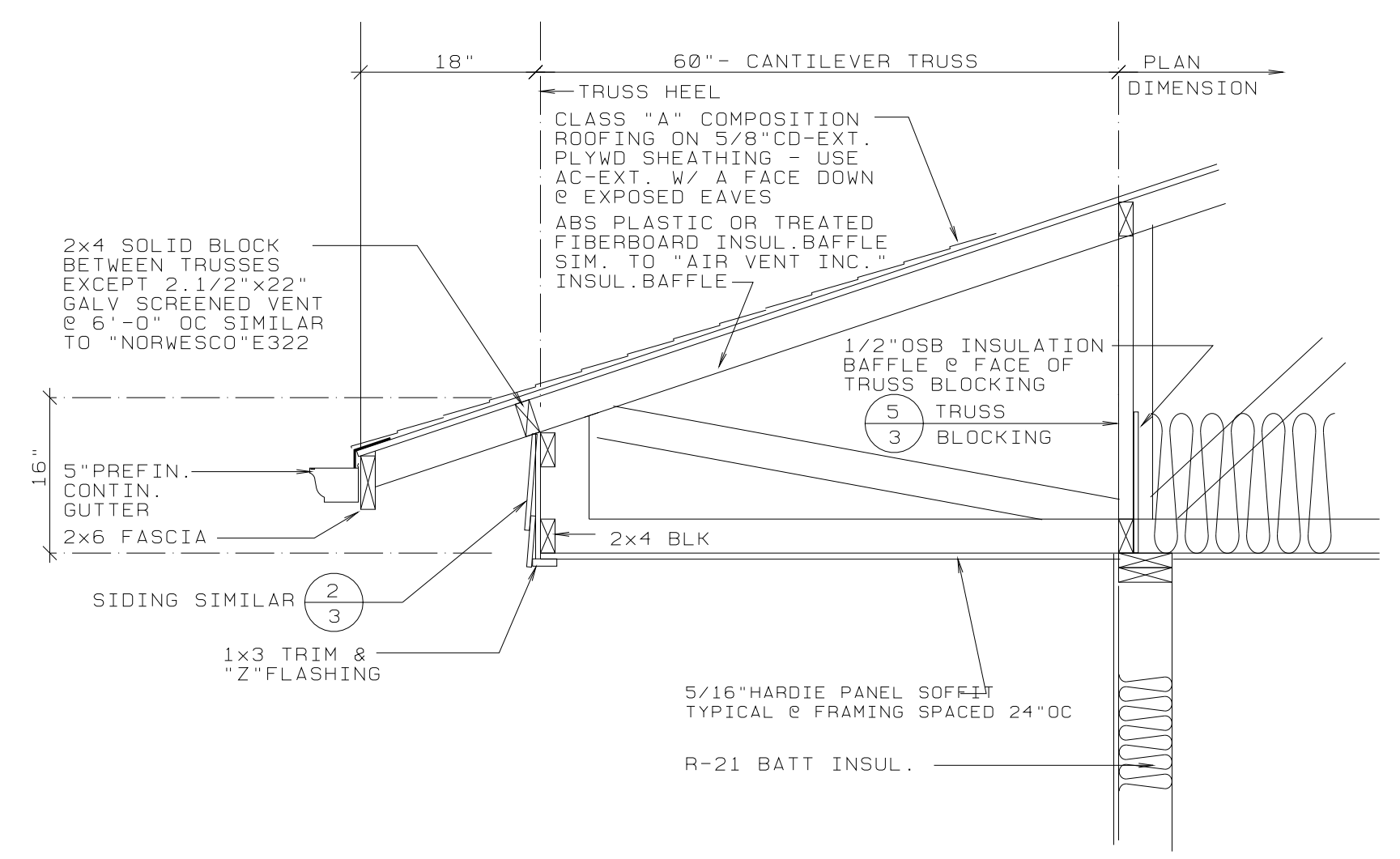
- 1 BLOCK PARALLEL WITH VALLEYS AND CHANGE IN PITCH FOR SHEATHING NAILING. SLOPE TO MATCH ROOF PITCH. NAIL SHEATHING AS SCHEDULED FOR PANEL PERIMETERS.
- 2 AIR VENT INC - OR APPROVED SLANT BACK SCREENED ROOF VENT. PREFINISHED METAL. COLOR SELECTED BY OWNER. 50 SQ IN MINIMUM FREE AREA. SPACE UNIFORMLY. MINIMUM TOTAL FREE AREA = (ATTIC AREA/600) DWELLING AREA (1122/600 = 1.87 SF) = 270 SQ. IN MINIMUM GARAGE AREA ( 676/600 = 1.13 SF) = 163 SQ. IN MINIMUM SEE EAVE DETAILS FOR SOFFIT VENTS.
- 3 AT CONTRACTOR OPTION TRUSS BLOCKING MAY BE INCORPORATED INTO GABLE END TYPE TRUSS OVER WALL. COORDINATE W/ TRUSS MFR. ALL TRUSSES BLOCKED/SHEATHED AGAINST OVERTURNING AT BEARING ENDS



**5A ELEVATION 5B SECTION**

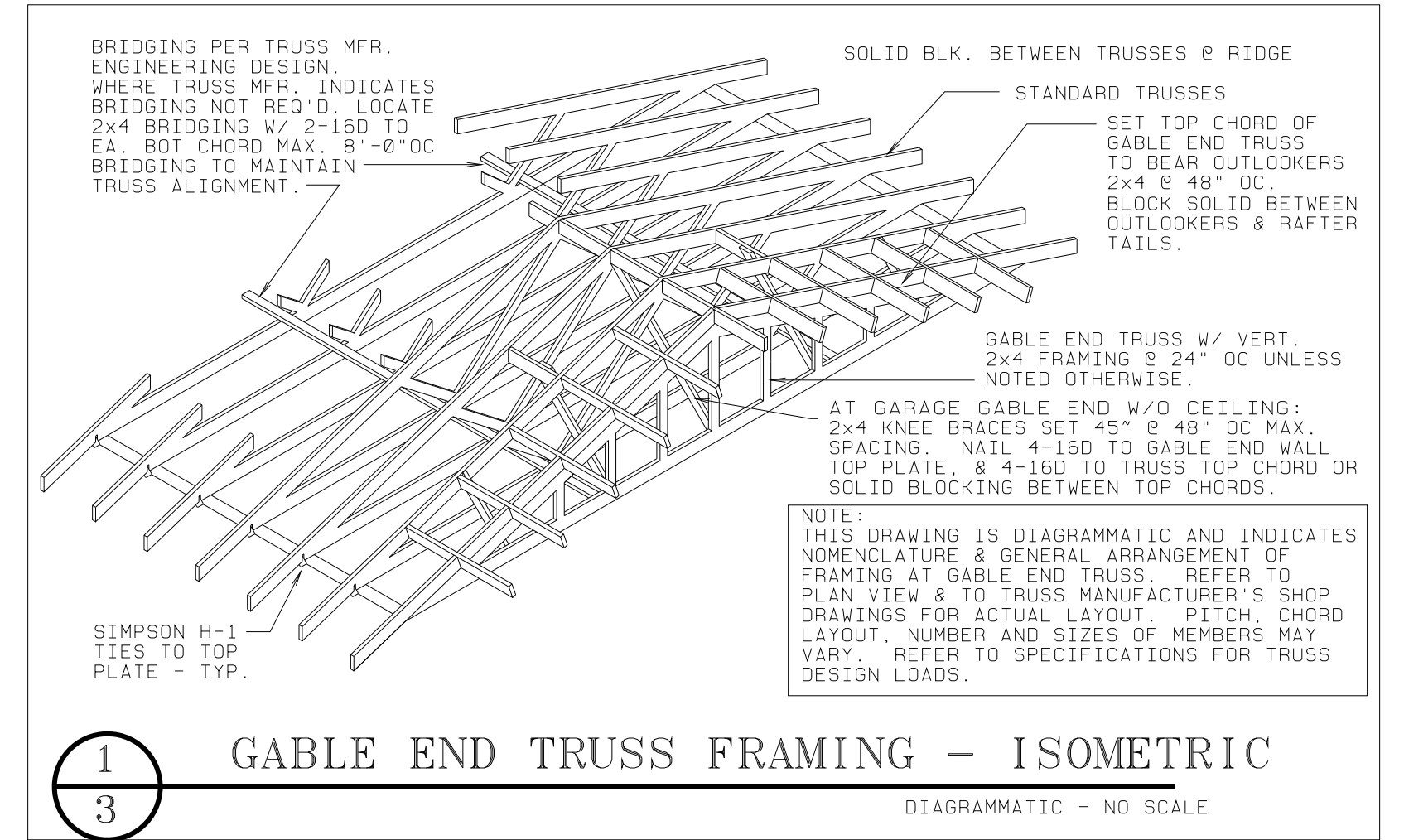
**5 TRUSS BLOCKING PANELS**

NO SCALE - DIAGRAMMATIC



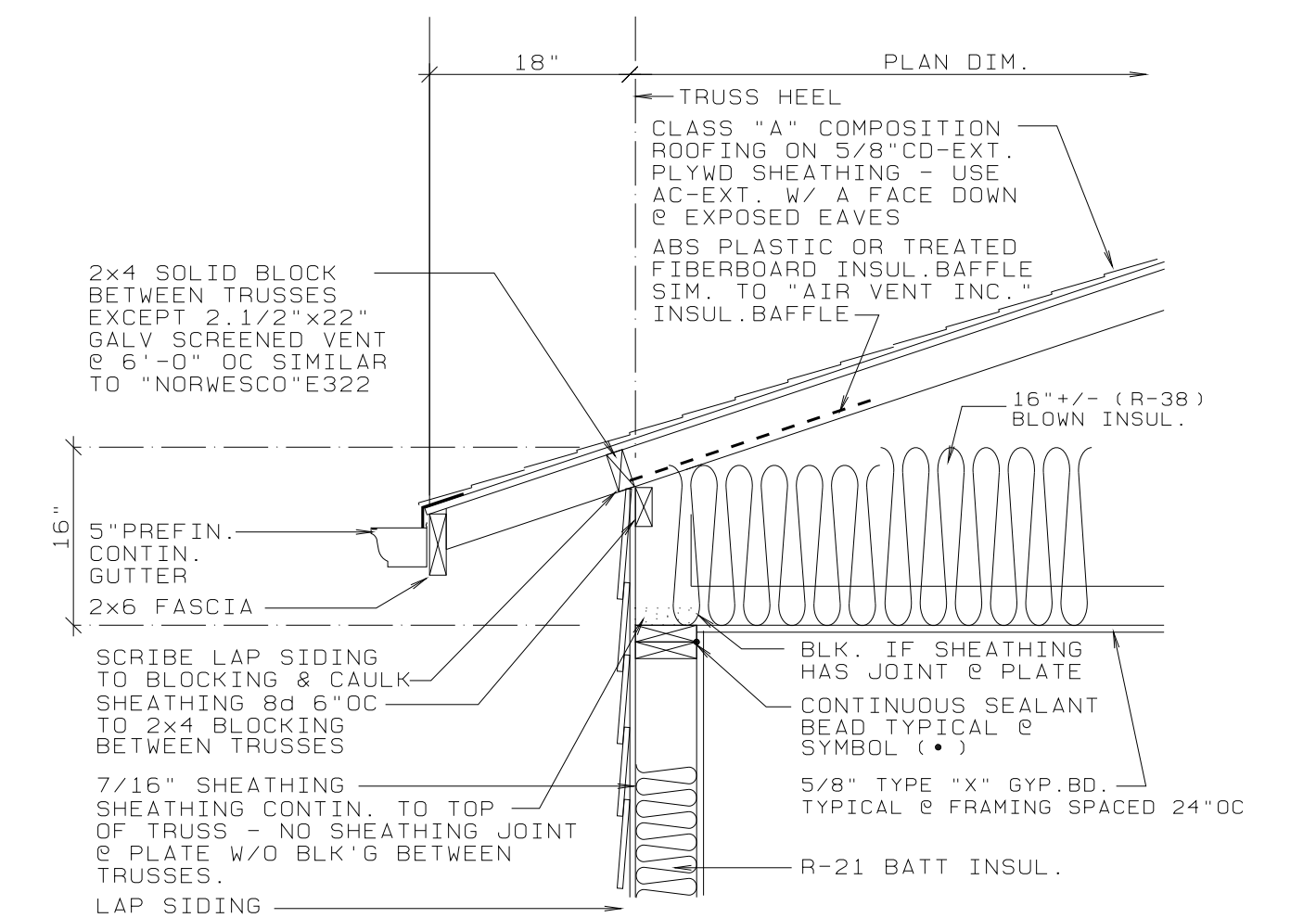
**4 PORCH EAVE DETAIL**

3/4" = 1'-0"



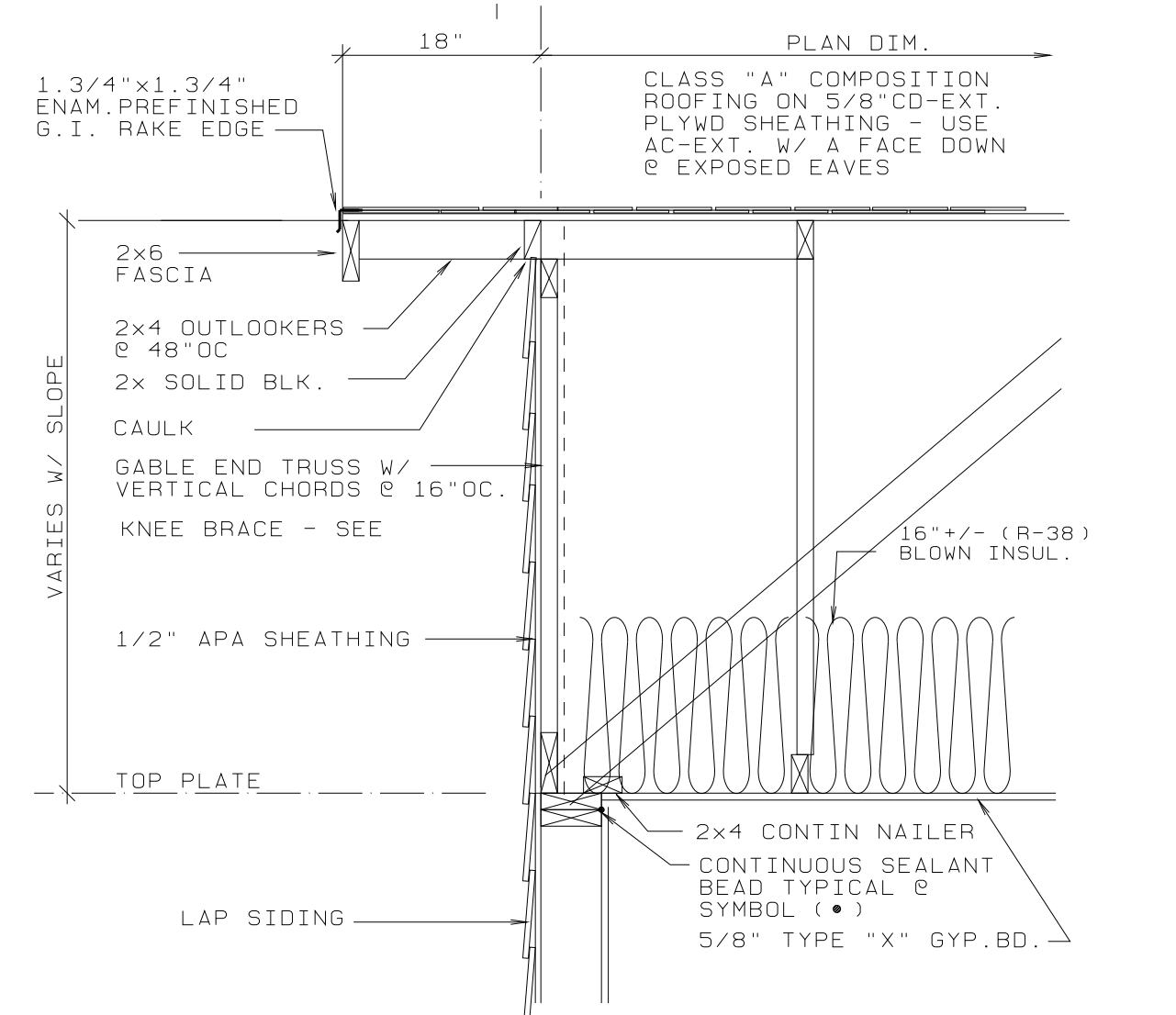
**1 GABLE END TRUSS FRAMING - ISOMETRIC**

DIAGRAMMATIC - NO SCALE



**2 TYPICAL EAVE DETAIL**

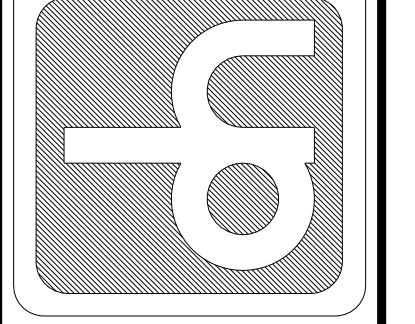
3/4" = 1'-0"



**3 TYPICAL GABLE END**

3/4" = 1'-0"

**DALLAS W. HORN, ARCHITECT**  
 MEMBER - AMERICAN INSTITUTE OF ARCHITECTS  
 840 SE ROSE - ROSEBURG, OR 97470  
 PHONE: (541) 672-5658  
 dwh@rio.com



REGISTERED ARCHITECT  
 DALLAS W. HORN  
 ROSEBURG, OREGON

**SELF HELP HOUSING - 2 BEDROOM DWELLING LA-1**  
 DOUGLAS COUNTY, OREGON  
 OWNER-DEVELOPER - UMPQUA COMMUNITY DEVELOPMENT CORP.

**ROOF PLAN & DETAILS**

PROJECT NO. 49003  
 LA03  
 DATE 1/21/09  
 REVISIONS  
 DRAWING SET NO.

**SHEET NO 3 OF 8**