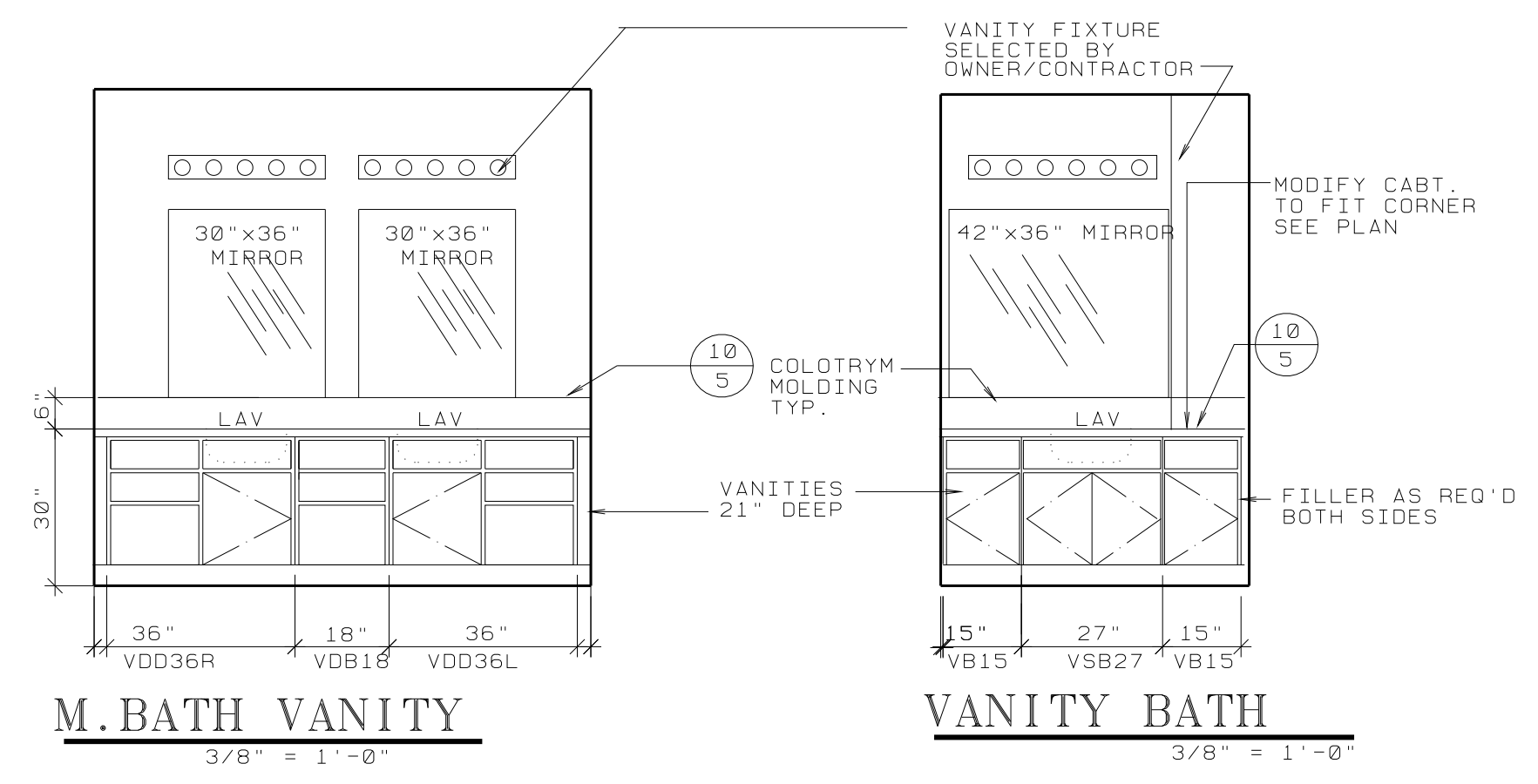


ROOM FINISH SCHEDULE

CASEWORK GENERAL NOTES:
FIELD VERIFY ALL DIMENSIONS PRIOR TO PROCEEDING.
CABINET NUMBERS SHOWN ARE FOR "ARISTOKRAFT" CABINETS. DOOR STYLE TO BE SELECTED BY OWNER. SHOWN FOR TYPE & LAYOUT ONLY. OBTAIN OWNER APPROVAL OF SHOP DRAWINGS PRIOR TO PROCEEDING.
VERIFY APPLIANCE & PLUMBING FIXTURE ROUGH-IN DIMENSIONS.

ROOM NAME	BASE		FLOOR		WALLS		CEILING		TRIM		REMARKS	
	MAT	FINISH	BACK 'G	MAT	FINISH	BACK 'G	MAT	FINISH	HEIGHT	MAT		FINISH
GARAGE	NONE	N/A	N/A	CONC	STL. TROWEL	ND STUDS 16" OC	5/8" GYP. BOARD	TAPE JTS. SG. LATEX	TRUSSES 24" OC	5/8" GYP. BOARD	TAPE-TEX F. LATEX	(ALL HEMLOCK CASINGS & BASE TO BE COLONIAL PROFILE)
BEDROOMS, HALL, BEDROOM CLOSETS, LIVING ROOM	2.1/4" MDF	S.G. ENAM	1.2" P.B. OR 1/2" PLYWD. UNDERLAY	CARPET	FACTORY	1/2" GYP. BOARD	TAPE & TEXTURE S.G. ENAM	5/8" GYP. BOARD	VARIES W/ FLR. SLOPE	MDF	STAIN & URETHANE	1HR WALL BETWEEN GARAGE & LIVING AREA CONTINUOUS TO ROOF SHEATHING - OTHER WALLS 1/2" GYP. BD+ACRYLIC LATEX
KITCHEN, BATHROOMS, DINING	4" VINYL COVE	FACTORY	1/2" PLYWD UNDERLAY (NO P.B.)	SHEET VINYL	FACTORY	1/2" GYP. BOARD	TAPE & TEXTURE S.G. ENAM	5/8" GYP. BOARD	8'-0"			SET RUBBER BASE IN SILICONE SEALANT BEAD ALONG BOTH EDGES TO SEAL BETWEEN WALL AND FLOOR.
ENTRY	2.1/4" MDF	S.G. ENAM										



DALLAS W. HORN, ARCHITECT
MEMBER - AMERICAN INSTITUTE OF ARCHITECTS
840 SE ROSE - ROSEBURG, OR 97470
PHONE: (541) 672-5658
dwhorn@pacnet.com

REGISTERED ARCHITECT
DALLAS HORN
ROSEBURG, OREGON

NOBRIO P.O. PLANS

SELF HELP HOUSING - 4 BEDROOM DWELLING RA-1
DOUGLAS COUNTY, OREGON
OWNER-DEVELOPER - UMPQUA COMMUNITY DEVELOPMENT CORP.

MISC. DETAILS

PROJECT NO. A9003
RA05
DATE: 1/21/09
REVISIONS

DRAWING SET NO. _____

SHEET NO
5
OF 8