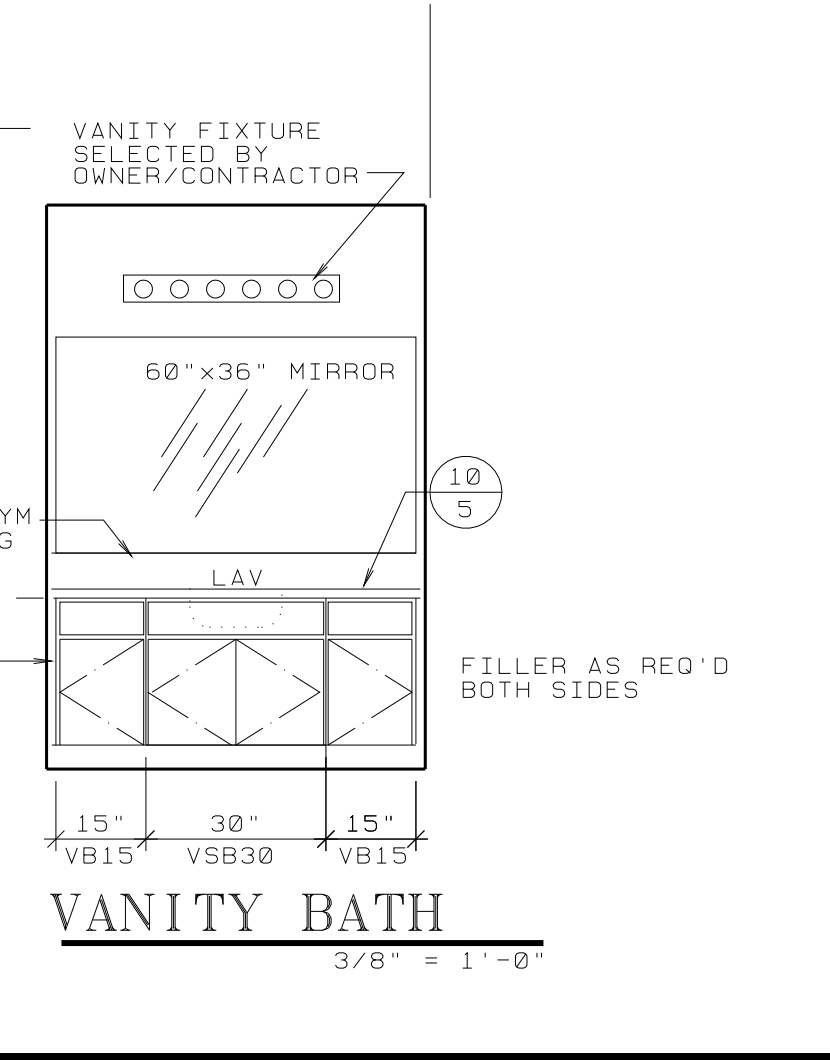
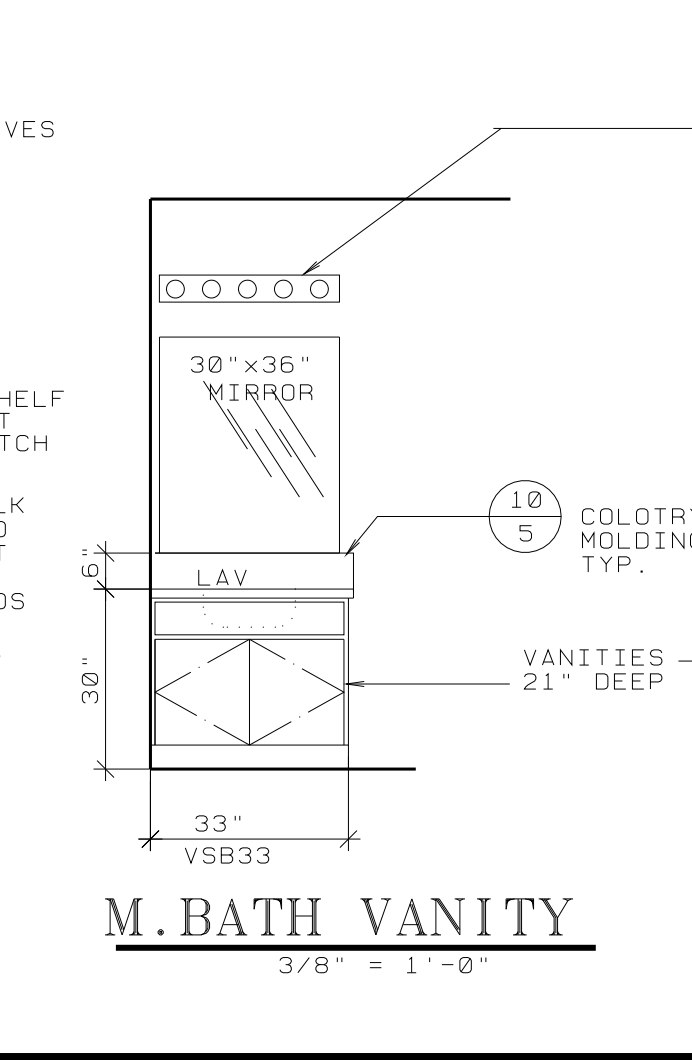
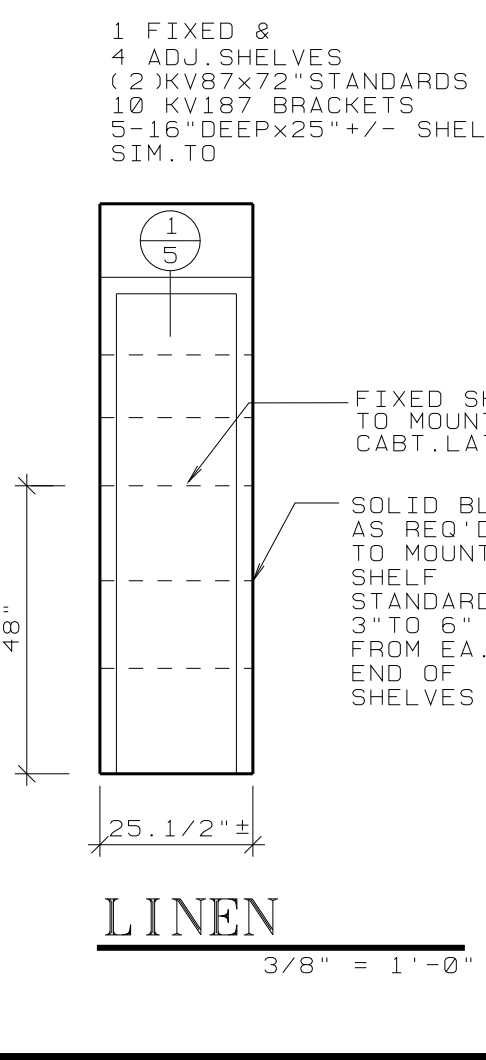


CASEWORK GENERAL NOTES:  
FIELD VERIFY ALL DIMENSIONS PRIOR TO PROCEEDING.

CABINET NUMBERS SHOWN ARE FOR "ARISTOKRAFT" CABINETS. DOOR STYLE TO BE SELECTED BY OWNER. SHOWN FOR TYPE & LAYOUT ONLY. OBTAIN OWNER APPROVAL OF SHOP DRAWINGS PRIOR TO PROCEEDING. VERIFY APPLIANCE & PLUMBING FIXTURE ROUGH-IN DIMENSIONS.

ROOM FINISH SCHEDULE

ROOM NAME	BASE		FLOOR		WALLS		CEILING		TRIM		REMARKS			
	MAT	FINISH	BACK 'G	MAT	FINISH	BACK 'G	MAT	FINISH	BACK 'G	MAT		FINISH		
GARAGE	NONE	N/A	N/A	CONC	STL. TROWEL	WD STUDS 16" OC	5/8" GYP. BOARD	TRAPESSES 24" OC	5/8" GYP. BOARD	TAPE-TEX F. LATEX	VARIES W/ FLR. SLOPE	MDF	STAIN & URETHANE	(ALL HEMLOCK CASINGS & BASE TO BE COLONIAL PROFILE)
BEDROOMS, HALL, BEDROOM CLOSETS, LIVING ROOM	2.1/4" MDF	S.G. ENAM	1.2" P.B. OR 1/2" PLYWD. UNDERLAY	CARPET	FACTORY	1/2" GYP. BOARD	1/2" GYP. BOARD	TAPE & TEXTURE S.G. ENAM	5/8" GYP. BOARD	TAPE-TEX F. LATEX	8'-0"			1HR WALL BETWEEN GARAGE & LIVING AREA CONTINUOUS TO ROOF SHEATHING - OTHER WALLS 1/2" GYP. BD+ACRYLIC LATEX
KITCHEN, BATHROOMS, DINING	4" VINYL GDE	FACTORY	1/2" PLYWD UNDERLAY (NO P.B.)	SHEET VINYL	FACTORY									SET RUBBER BASE IN SILICONE SEALANT BEAD ALONG BOTH EDGES TO SEAL BETWEEN WALL AND FLOOR.
ENTRY	2.1/4" MDF	S.G. ENAM												



**DALLAS W. HORN, ARCHITECT**  
MEMBER - AMERICAN INSTITUTE OF ARCHITECTS  
840 SE ROSE - ROSEBURG, OR 97470  
PHONE: (541) 672-5658  
dwh@rio.com

**REGISTERED ARCHITECT**  
DALLAS HORN  
DALLAS, TEXAS  
ROSEBURG, OREGON

**SELF HELP HOUSING - 3 BEDROOM DWELLING LA-1**  
DOUGLAS COUNTY, OREGON  
OWNER-DEVELOPER - UMPQUA COMMUNITY DEVELOPMENT CORP.

**MISC. DETAILS**

PROJECT NO. A8009  
LA05  
DATE 1/21/09  
REVISIONS

DRAWING SET NO.

**SHEET NO**  
5  
OF 8